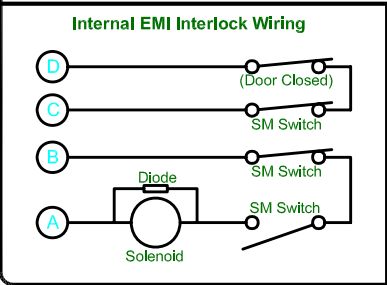
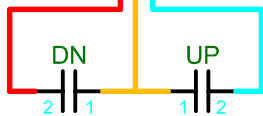
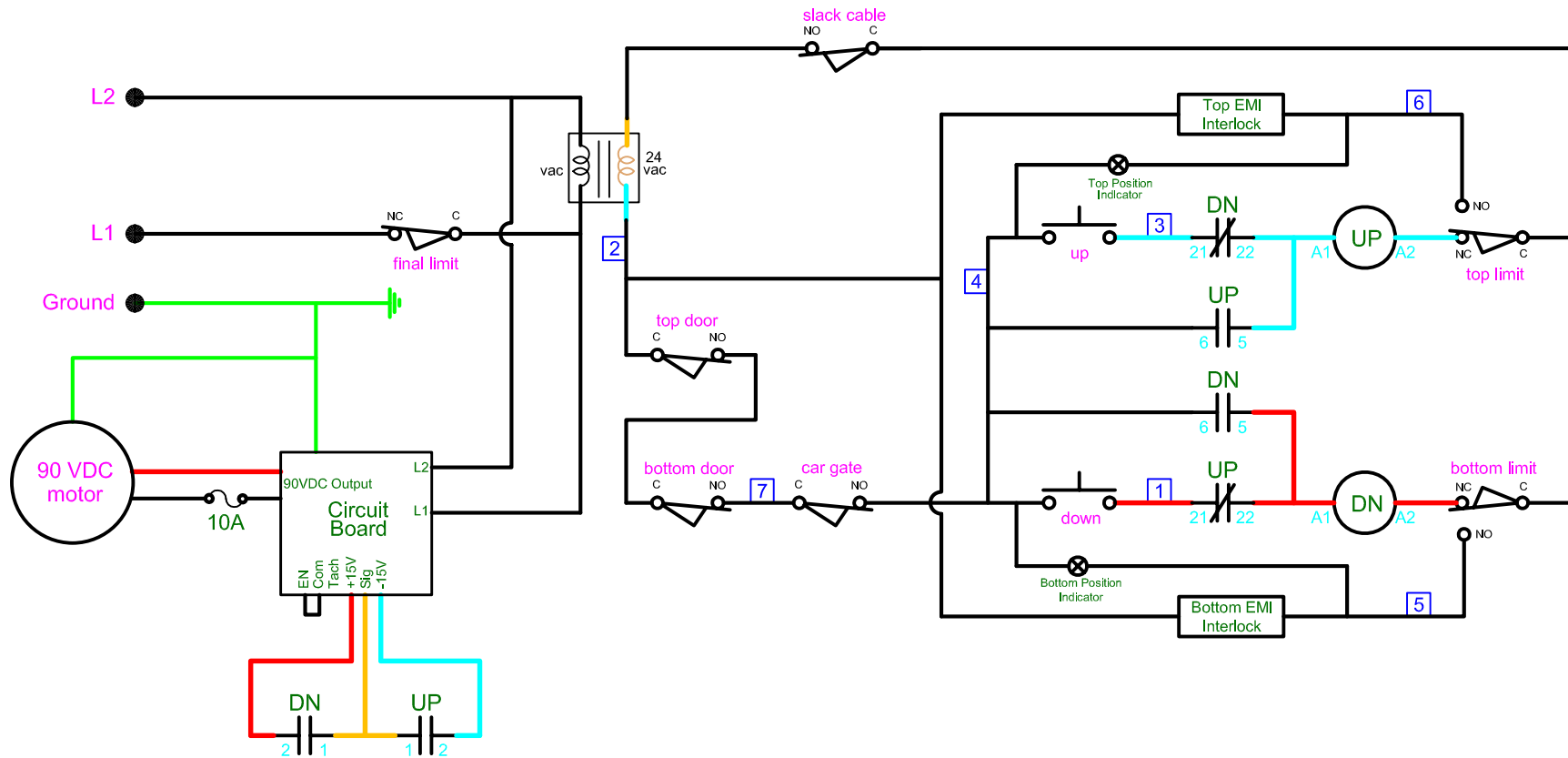


REV.	E.C.N.	REVISION DESCRIPTION	BY	DATE
------	--------	----------------------	----	------



For Units shipped after 07/02/07

ITEM No.	QTY	SIZE	PART No.	MATERIAL OR ITEM DESCRIPTION
MATERIAL LIST				
TOLERANCE UNLESS NOTED		SUMMIT LIFTS, INC. Taking you to new heights 18505 E. 163rd St., Lake Winnebago, MO 64034 Phone: 816-537-0661 Fax: 816-537-0641		
.X ±.06 .XX ±.03 .XXX ±.010 HOLES ±.005 ANGLES ±1°		PRODUCT: Ascent® Dumbwaiter TITLE: Ladder Diagram, 2-Stop		
CHECKED BY:		DRAWN: JB	SCALE: 1=1	DATE: 11/01/07
CHECK DATE:		LAST PLOT: 18-Mar-08	REVISION: A	SIZE: B
APP. BY:		CAD FILE NAME:	25415	
APP. DATE:		This drawing is furnished only for informational purposes on a confidential basis, and neither the drawing or items thereon are to be reproduced or used in any manner not authorized.		