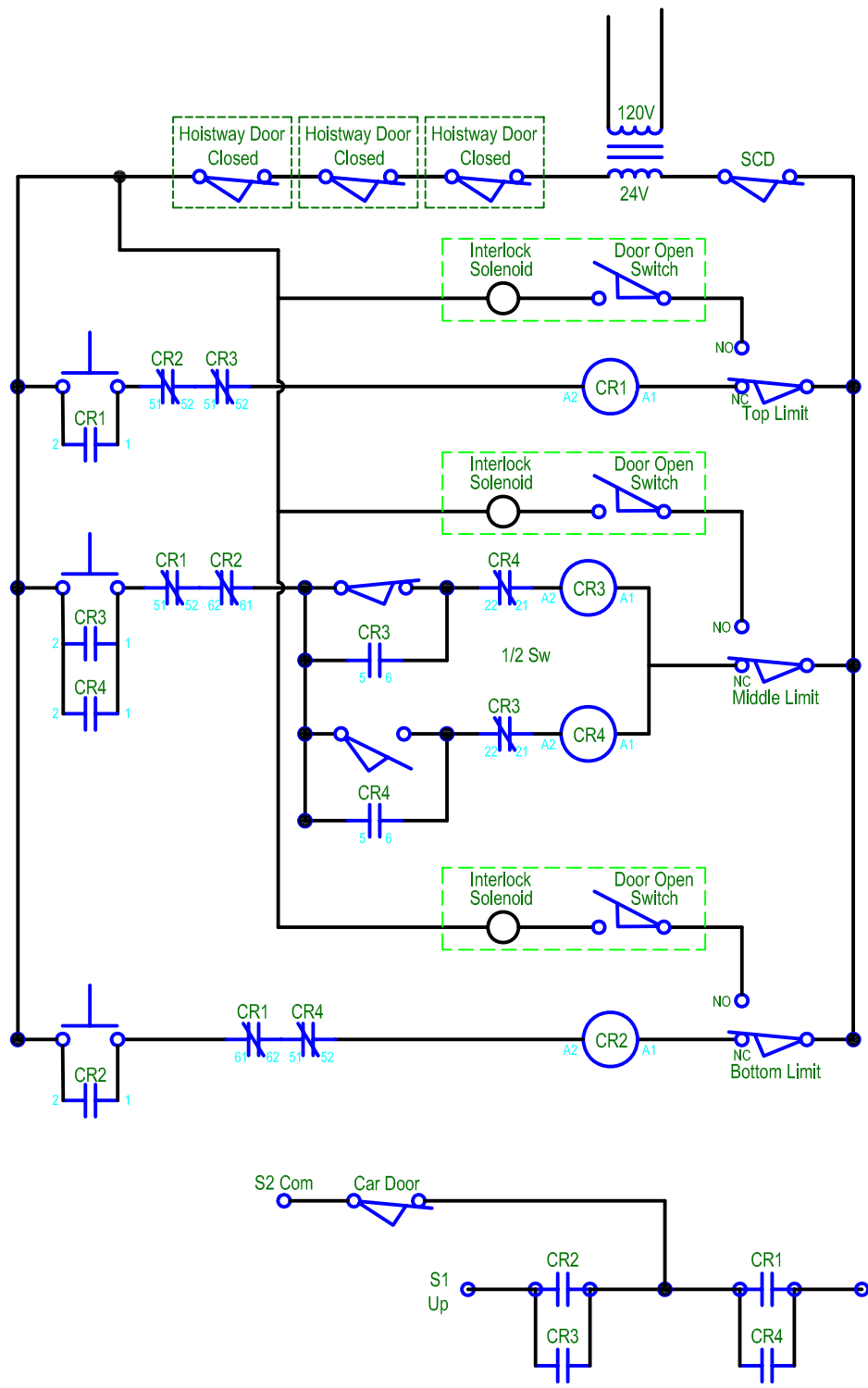


DATE

BY

REVISION DESCRIPTION

REV. E.C.N.



Inside Interlock

ITEM No.	QTY	SIZE	PART No.	MATERIAL OR ITEM DESCRIPTION
MATERIAL LIST				
TOLERANCE UNLESS NOTED				
.X		±.06		
.XX		±.03		
.XXX		±.010		
HOLE		±.005		
ANGLES		±1°		
CHECKED BY				
CHECK DATE				
APP. BY				
APP. DATE				

PRODUCT: Summit Ascent	
TITLE: Ladder Diagram, 3-Stop	
DRAWN: JB	DATE: 02/07/06
SCALE: NTS	SIZE: B
LAST PLOT: 2-Mai-06	REVISION: A
CAD FILE NAME: 25416	



Taking you to new heights
 18505 E. 163rd St., Lake Winnebago, MO 64034

This drawing is furnished only for informational purposes on a confidential basis, and neither the drawing or items thereon are to be reproduced or used in any manner not authorized.